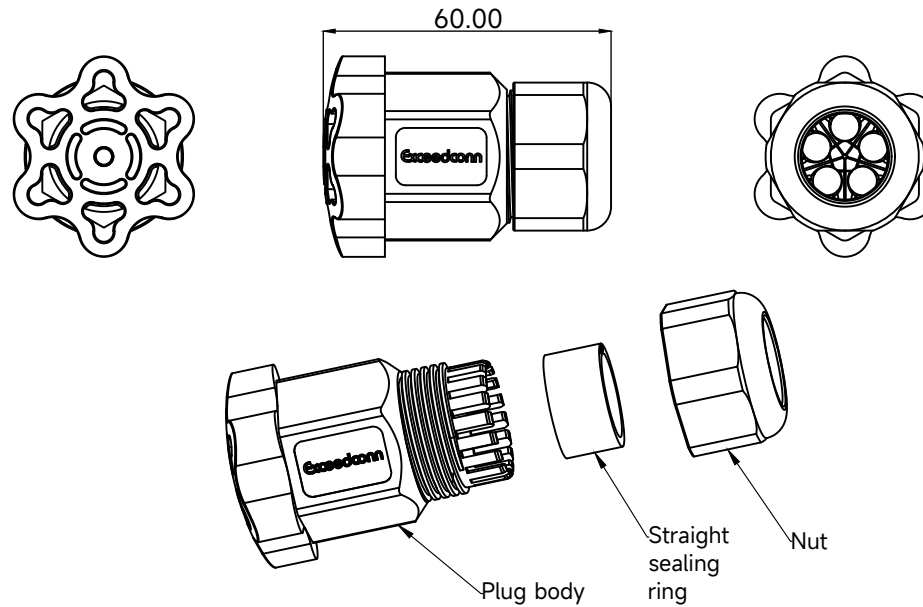


2062050002_ 5-wire Bus Cable End Cap

RoHS

CHANGE NO.	CHANGE CONTENTS	REV.	NAME/DATE



Notes:

Mechanical property:



- 1. Cable Gauge:14-17.5mm

Environmental performance:

- 1. Protection class: IP68 1m-2H(After mating);
- 2. Operating Temperature: -40°C~105°C

Others:

- 1.Type No:EN050-1423-00

TOLERANCES UNLESS OTHERWISE SPECIFIED		MATERIAL		
X.	±3.00	X°	±3.00°	
.X	±2.00	.X°	±2.00°	NAME
.XX	±1.00	.XX°	±1.00°	5-wire Bus Cable End Cap
.XXX	±0.50	.XXX°	±0.50°	DRAWING NO.
DWN.	UNIT	mm		
CHK.	SHEET	OF	REV.	0.0
	--	--		